



AR-DN-GW Rapid – An-10 Gateway Product Guide

mySmart

Overview



AR-DN-GW provides a gateway between the Rapid lighting control system and the An-10 wireless system.

Application examples

- RF based An-10 detectors required on a Rapid system.
- Office block with large open plan offices having predominantly Rapid LCM/DALI gateway control where the conference rooms and atrium require more sophisticated architectural scene control.
- An An-10 system which requires front end display of statuses and mimic control.

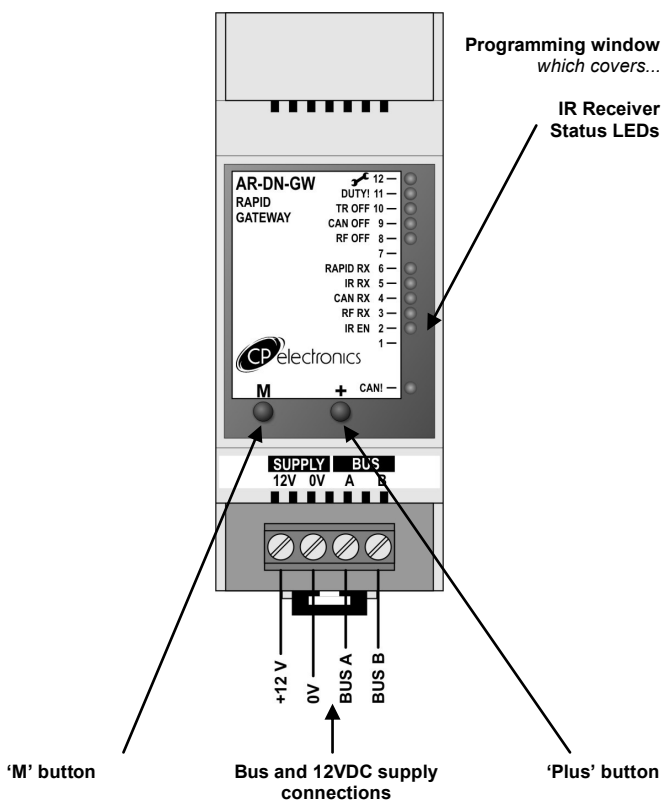
The unit comprises of a radio transceiver for two way communication with an An-10 system and a CAN port for communication with a Rapid system.

The device is configured using the UNLCDHS and the settings uploaded via simple PC program via an Excel spreadsheet.

Please speak to our technical team for further information.

Features


Front features



Connections

- +12V and 0V for 12VDC power from an EBR-DIN-PSU DIN rail power supply.
- BUS A and BUS B for Rapid lighting control system and an An-10 wired network.

LEDs

	Commissioning fault
DUTY!	Duty cycle limit exceeded
TR OFF	An-10 translation process turned off
CAN OFF	CAN port is turned off
RF OFF	RF port is turned off
RAPID RX	Rapid CAN messages received
IR RX	IR messages received via IR port
CAN RX	An-10 CAN messages received
RF RX	An-10 RF messages received
IR EN	IR port enabled
CAN!	CAN hardware fault

'M' button

- Press for 7 seconds to turn off the Rapid - An-10 translation process.

'+' button

- Press for 3 seconds to activate the IR port.

Technical data

Dimensions	See diagrams opposite
Weight	0.08kg
Supply Voltage	12VDC
Terminal Capacity	2.5mm ²
Power consumption	589mW

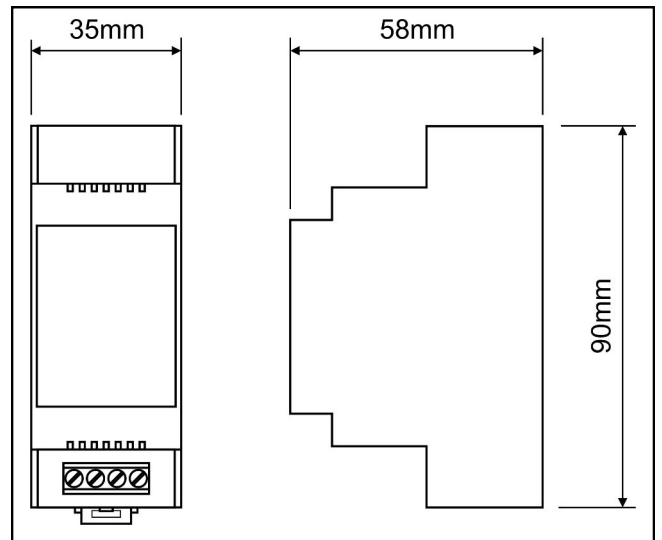


Order code	Region	Radio frequency	Compliance
blank	European Union	868MHz	EN300 220-2 V2.1.2 EN301 489-1 V1.8.1 EN301 489-3 V1.2.1 LVD-2006/95/EC
-A2	Australia & New Zealand	915MHz	AS/NZS 4268:2008

Receiver Class	2
Transmitter Duty Cycle	<10% on g3 band (default band) <0.1% on g2 band <1% on g1 band

Range	The maximum RF range between An-10 devices is 100m in free air and up to 30m indoors. However the materials used within a building will vary and this will impact upon the RF range. In reality the nature of how the An-10's hybrid-mesh works means that in most scenarios the individual range of an An-10 product will not be important.
-------	--

Temperature	-10°C to 35°C
Humidity	5 to 95% non-condensing
Material (casing)	Flame retardant ABS and PC/ABS
Type	Class 2



Part numbers

Sensor	Part number	Description
	AR-DN-GW	Rapid – An-10 Gateway
Accessories	EBR-DIN-PSU	DIN rail power supply

IMPORTANT NOTICE!

This device should be installed by a qualified electrician in accordance with the latest edition of the AS/NZS Wiring Rules and any applicable Building Regulations.

mySmart

Unit 16
1 Talavera Road
Macquarie Park, NSW 2112
Australia
T: 1300 697 627
F: (02) 9887 1333
www.mysmart.com.au